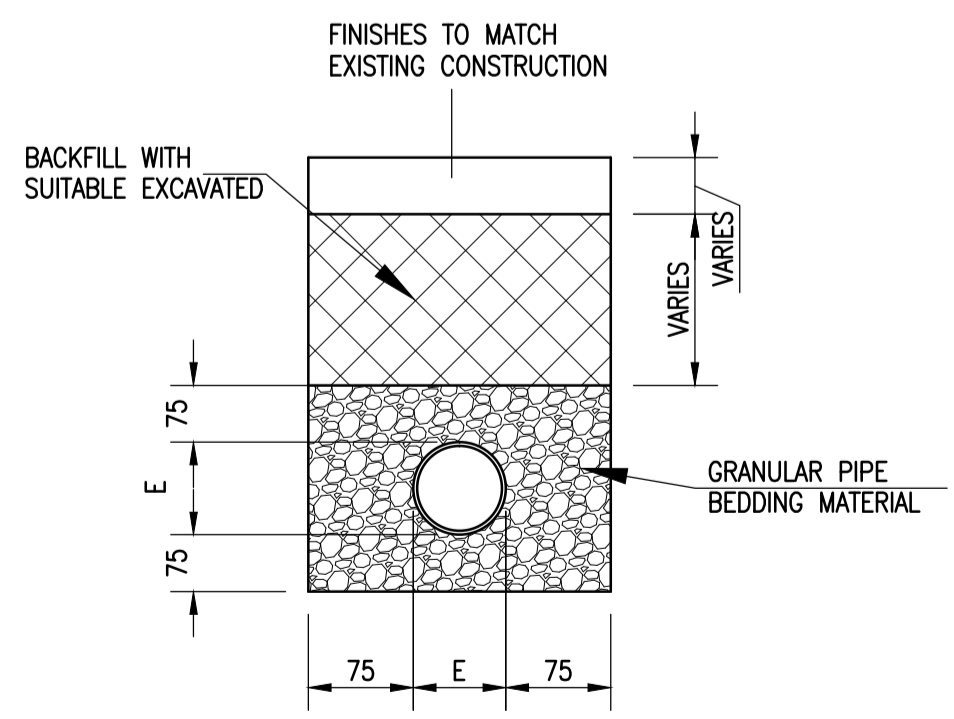
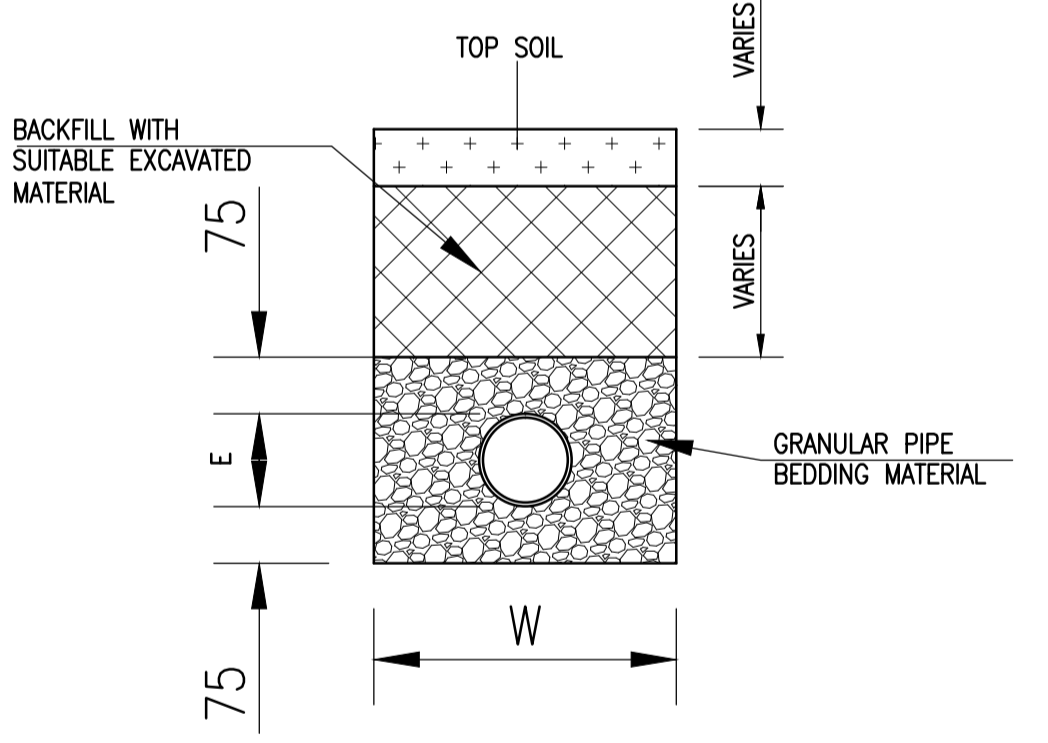
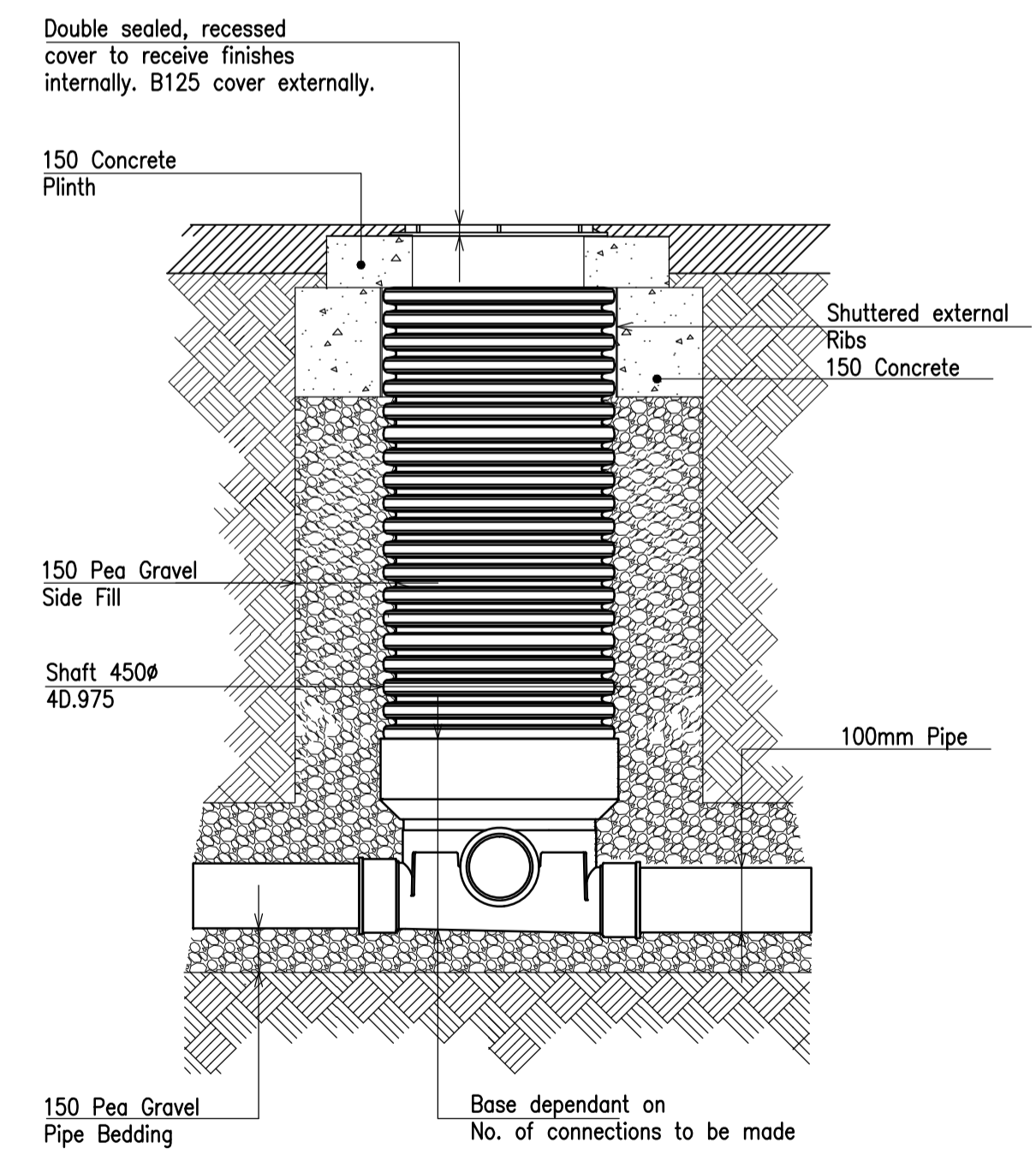
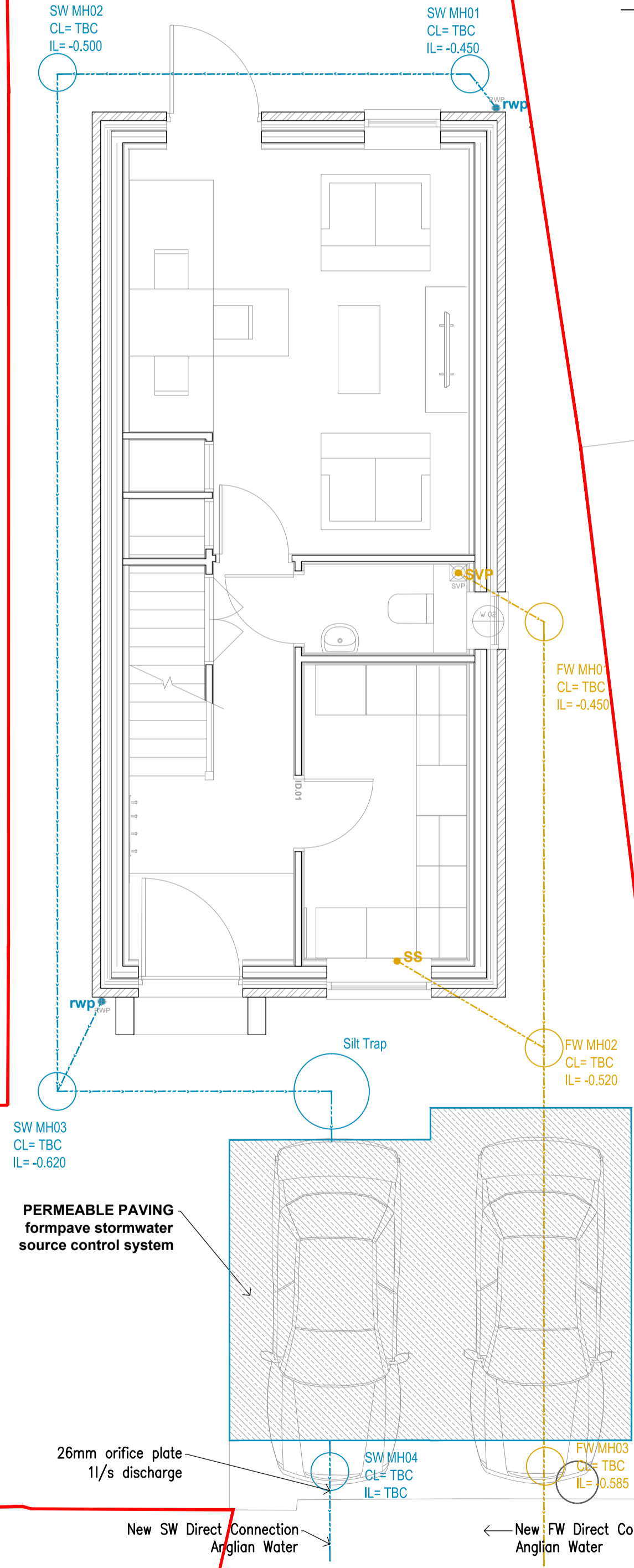
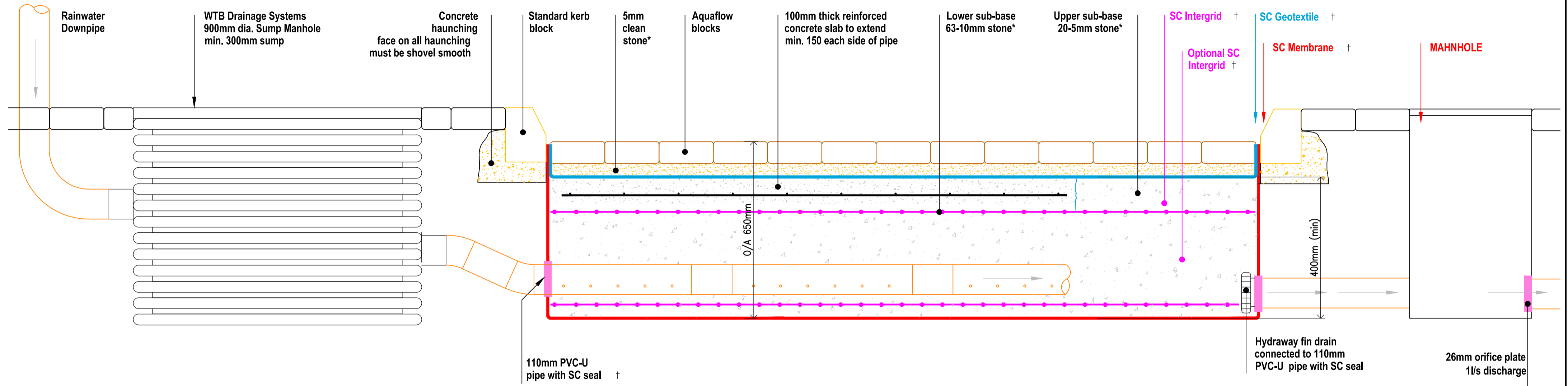


FORMPAVE STORMWATER SOURCE CONTROL SYSTEM
Downpipe drainage into Tanked System - Section

- GENERAL NOTES:
- This drawing is copyright (C).
 - This drawing is to be read in conjunction with all relevant drawings and specifications.
 - This drawing shall not be scaled. Use only figured dimensions. All dimensions are shown in millimetres and levels in metres above OS Datum.
 - Dimensions and conditions shall be verified on site. Any discrepancies between this drawing and site conditions shall be brought to the attention of the Engineer for resolution prior to placing orders or construction.
 - All work shall comply with the Building Regulations and the requirements of the Local Authority, current Codes of practice and British Standards.
 - Dimensions indicated thus: * are to be confirmed on site.
 - For remainder of notes see drg no. H16854-DA D01.
 - Our design is based upon the assumptions: Existing blockwork is assumed to be 100mm 3.5N in 1:8 mortar. Existing brickwork to be 20.2N in 1:8 mortar. Existing lintels to be grade C16. Lintels assumed to exist over all existing openings. Wall ties assumed to be in good condition. Assumed minimum party wall thickness to be 220mm solid masonry wall construction.
 - Waterproofing details shown are indicative only. Architect to confirm final details.
 - Splice requirements to new steel beams to be allowed for by contractor as required. Splice design assumed responsibility of fabricator, unless specifically requested of S.Eng.
 - All structural steelwork shall be to BS EN 10025 & BS EN 10210, Grade S355 unless noted otherwise. All beams to be CE marked.
 - High risk of saturation and freezing (masonry most vulnerable is situated 150mm above and 150mm below finished ground level) durability classification to be a MX3.2, F2, S2 or S1*



450ø NON ENTRY INTERNAL INSPECTION CHAMBER
1:20

EXTERNAL PIPE BEDDING

Surface Water Manhole Schedule		Foul Water Manhole Schedule	
Manhole	Invert Level	Manhole	Invert Level
SW MH01	0.450	FW MH01	0.450
SW MH02	0.500	FW MH02	0.520
SW MH03	0.620	FW MH03	0.585
SW MH04	TBC		
SILT TRAP 01	TBC		

PRELIMINARY

MARKS HEELEY
CONSULTING STRUCTURAL AND CIVIL ENGINEERS

THE STABLES
CANNONS MILL LANE
BISHOPS STORTFORD
HERTFORDSHIRE CM23 2BN
TELEPHONE: 01279 465900
FACSIMILE: 01279 465999
GENERAL@MARKSHEELEY.CO.UK

Client	SBC			
Project	96 DENTON AVENUE Southend on Sea Essex SS0 0JX			
Title	PROPOSED DRAINAGE LAYOUT			
Sheet Size	Original Scale	Designed/Drawn	Checked	Authorized
A1	As Shown	JP	GN	GN
Status	Drawing Number	Date	Date	Date
P	H16854-DA D01	28/08/23	28/08/23	28/08/23
Rev				
				A

ANGLIAN WATER ASSET MAP REQUIRED.