



Existing South Elevation 1:100  
0 1 2 3 4 5



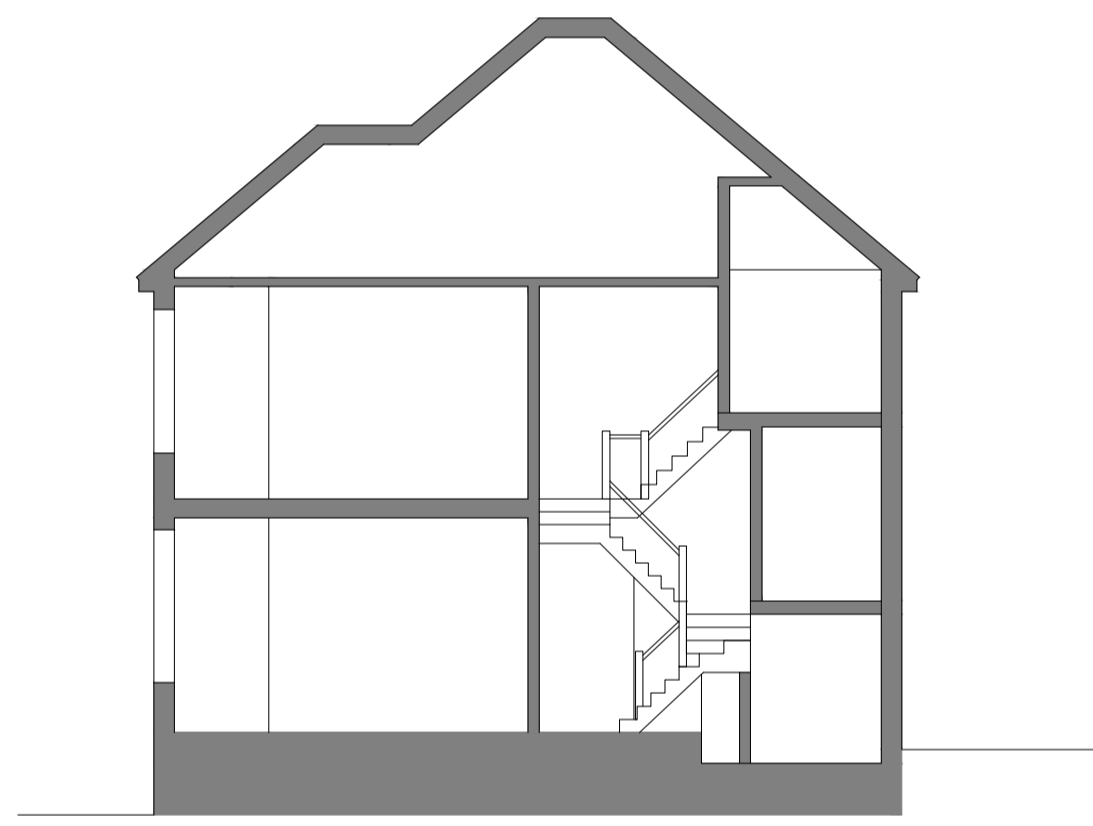
Existing East Elevation 1:100  
0 1 2 3 4 5



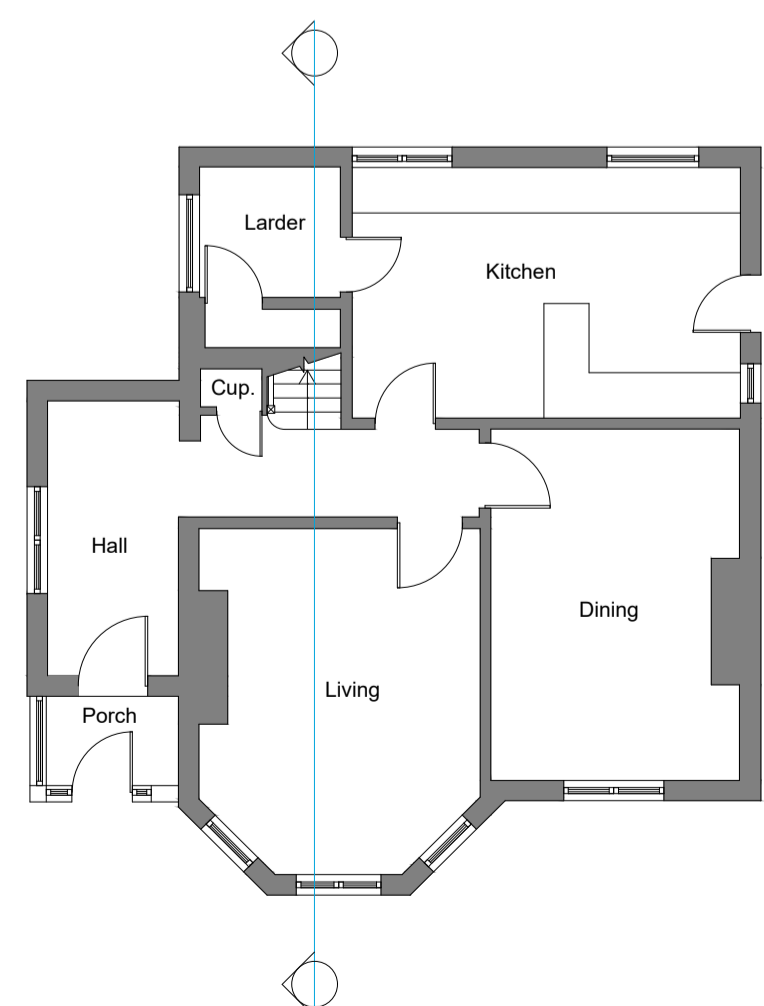
Existing North Elevation 1:100  
0 1 2 3 4 5



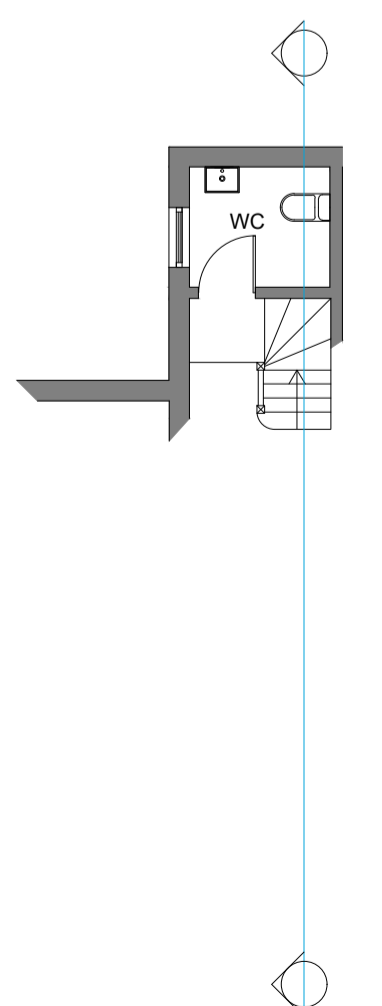
Existing West Elevation 1:100  
0 1 2 3 4 5



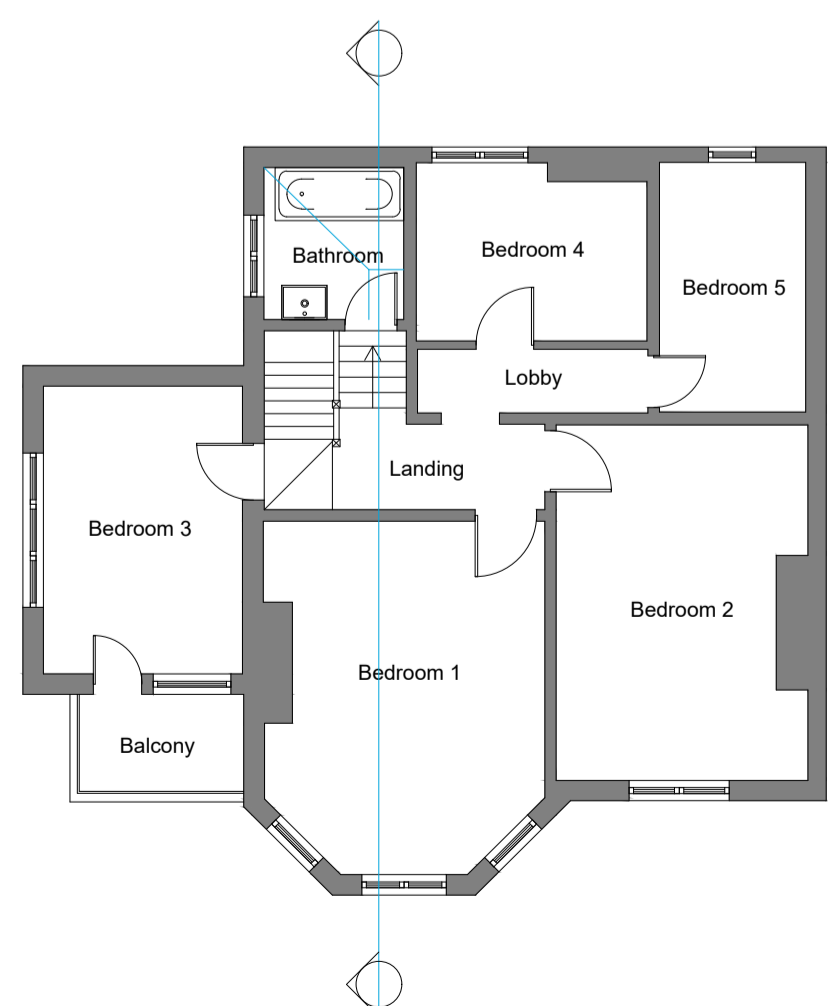
Existing Section 1:100  
0 1 2 3 4 5



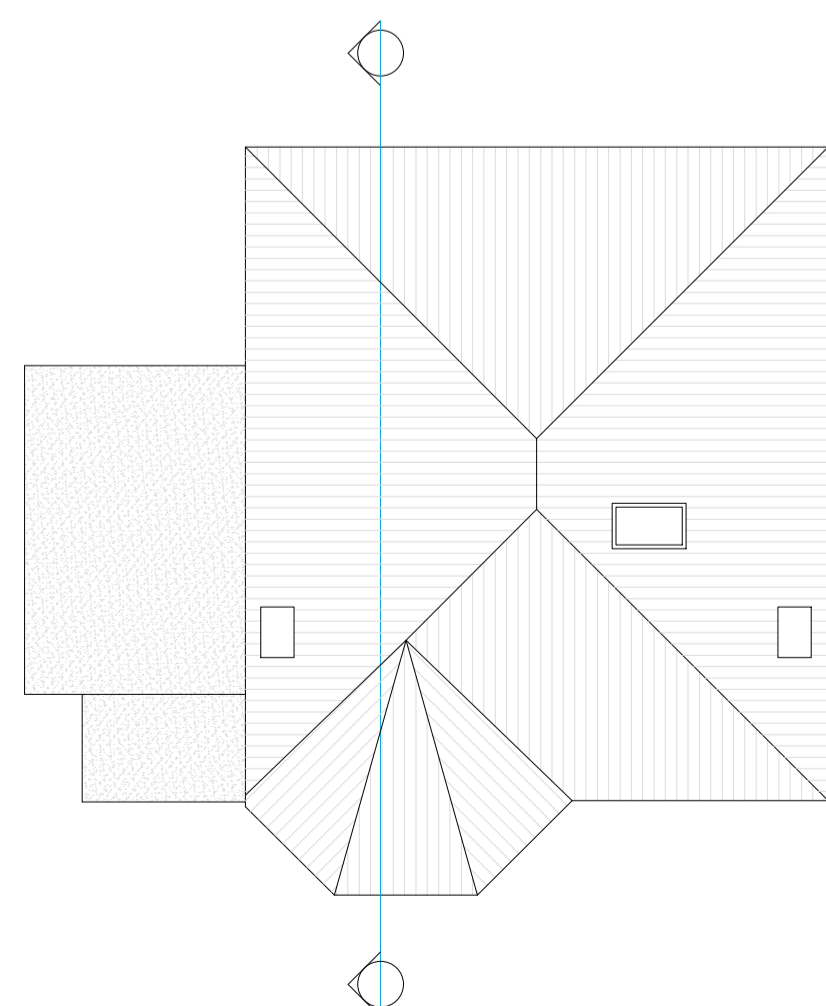
Existing Ground Floor Plan 1:100  
0 1 2 3 4 5 North



Existing Half Landing Floor Plan 1:100  
0 1 2 3 4 5



Existing First Floor Plan 1:100  
0 1 2 3 4 5



Existing Roof Plan 1:100  
0 1 2 3 4 5

Notes:	

Rev	Comment	By	Date
-	Planning	ABG	09/03/2020

Stage:	Planning
--------	----------

Client:	
---------	--

Project:	27 Leigh Park Road

Drawing Title:	Existing
----------------	----------

Drawing no:	582P02
-------------	--------

Revision:	-	Drawn by:	ABG
-----------	---	-----------	-----

Project no:	582	Chkd by:	
-------------	-----	----------	--

Scale:	1:500 & 1:1250 @ A1
--------	---------------------

**SKARCHITECTS**  
803-805 London Road  
Westoff-on-Sea  
SS0 9EZ  
Tel: 01702 509250  
Email: info@skarchitects.co.uk

Do not scale from this drawing.  
Drawing to be read in conjunction with all other issued drawings, documents and relevant consultants' information.  
All dimensions on this drawing for guidance purposes only. All dimensions must be checked onsite.  
This information is subject to Building Control requirements and the requirements of all relevant statutory authorities and service providers.  
© SKARCHITECTS Ltd 2020